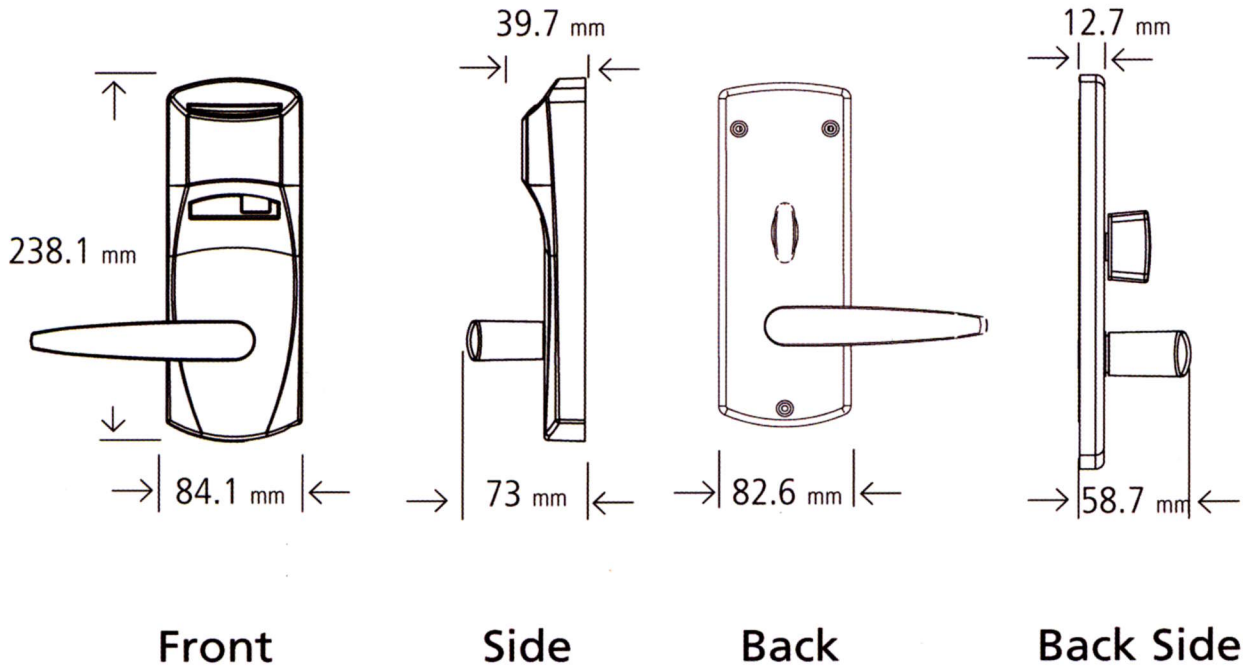


LOCK DIMENSIONS



MECHANICAL FEATURES

Description: Heavy duty electronic lockset (mortise or cylindrical) with clutch mechanism and built-in magnetic stripe card reader

Handing: Left or Right factory handed mortise, field reversible handing (lever and mortise)

Lever: ADA compliant, outside lever free to rotate upward and downward in locked mode
Lever clearance (space from lever to door):

Long Lever

770 = 2.3mm

770K = 2.3mm

Short Lever

770 = 43.75mm

770K = 50mm

Deadbolt: 25 mm (for ASM Mortise) or 21.4 mm (for ESM Mortise) solid metal, projected by inside thumbturn and retracted with the latch by the interior handle, emergency override or specific staff keycards.

Optional auto deadbolt available.

Dimensions: Door thickness from 35mm to 66mm ;Lever return within 12.7 mm of door

Shipping weight: 3.8 kg (8.5 lbs)

Housing construction: Cast zinc alloy (outside housing, levers and thumbturn), Stainless Steel inside housing

Standard finishes: Satin Chrome, Satin Brass, and optional Ocean-Front finish

Standard backset: 70mm backset; 60mm backset is also available for cylindrical lock